

The VXB EN54 Part 23 Approved beacon is part of the VXB family of products designed for use with conventional fire alarm systems

The VAD beacon has been designed for maximum all round visibility coupled with low power consumption

Approved at C-3-8 coverage range (Reduced room size coverage available via the DIL switch C-3-4, but does not comply with EN54-23)

Approved at 1Hz flash rate (0.5Hz flash rate available via the DIL switch, but does not comply with EN54-23)

The beacon functions are fully synchronised.

- Beacon (VAD) fully approved to EN54- 23
- Shallow base IP21C and deep base IP33C versions available
- Designed to work with conventional alarm circuits
- Unique twist and lock bayonet mounting system
- Removable cover on deep base for surface wiring
- Features base locking system as standard



TECHNICAL

Voltage range (VDC)	18 - 30		
Temperature range (°C)	-20 to +70		
Flash rate	c.1Hz (Approved) (Option for 0.5Hz does not comply with EN54-23)		
Monitoring	Reverse polarity		
Protection rating (EN54 Approved)	IP21C (Shallow)	IP33C (Deep)	
Protection rating (BS EN 60529)	IP65C (Deep)		
Base part numbers	Shallow 116-085 Red 116-086 White	Deep 126-021 Red 126-022 White	
Boxed weight (kg)	0.22 (Shallow)	0.25 (Deep)	
Body colours available	Red or white (ABS fire retardant plastic)		
Lens colours available/flash colour	Red lens / White flash		

PERFORMANCE

Max. current consumption @ 24VDC (mA)	25
Max power consumption @ 24VDC (mW)	600
Beacon coverage Range	C-3-8 (Approved) (Option for C-3-4, but does not comply with EN54-23)
Coverage volume:	151m ³
Light temporal pattern	Single pulse width of 35 - 100ms @ frequency of 1Hz (approved at 100ms)
Maintenance:	refer to local test and maintenance guidance

ORDERING INFORMATION

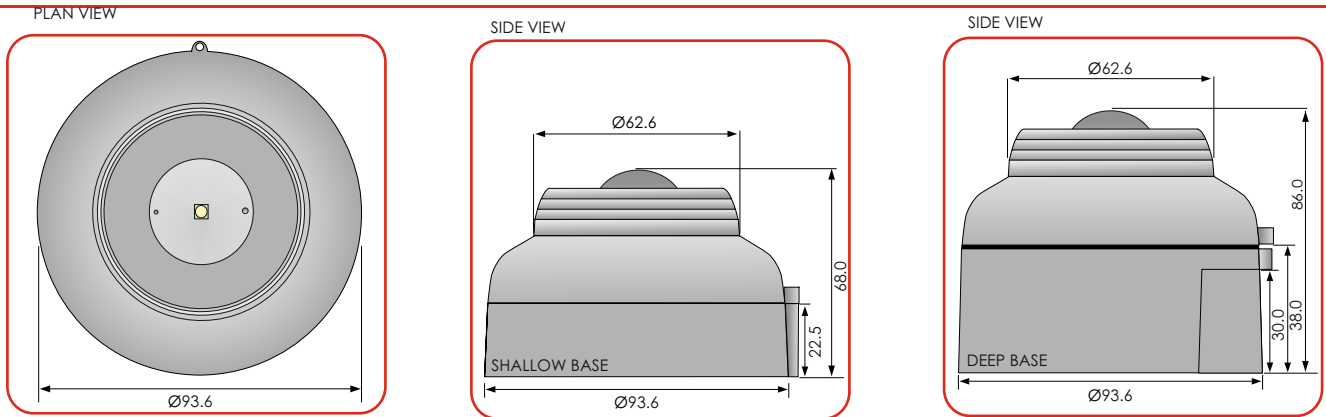
VXB-1EVAD EN54-23 C-3-8 Red body, shallow base, white flash	512-207
VXB-1EVAD EN54-23 C-3-8 Red body, deep base, white flash	512-208
VXB-1EVAD EN54-23 C-3-8 White body, shallow base, white flash	512-201
VXB-1EVAD EN54-23 C-3-8 White body, deep base, white flash	512-202

APPROVALS INFORMATION

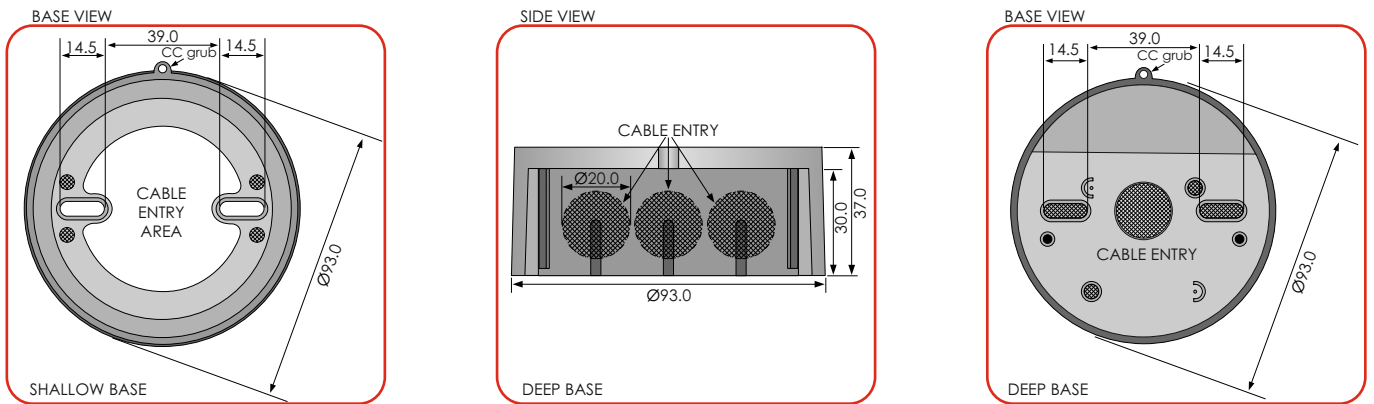
EN54-23


innovationdesignmanufacture

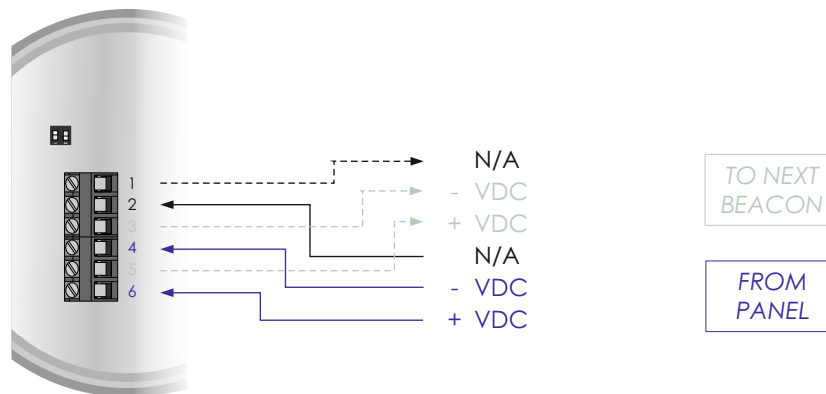
DIMENSIONS



PRODUCT MOUNTING & CABLE ENTRY



WIRING CONFIGURATION



FLASH RATE & COVERAGE SELECTION

