

## Product Data Sheet: RIU-R24 Auxiliary Relay



### Description

The RIU range of auxiliary relays offer a rapid and cost effective solution to applications requiring the additional switching of ancillary equipment.

Mounted on a single gang plate, the RIU-R24B comprises of a high quality dual-change over relay operated via a 24Vdc supply. The unit is supplied complete with a single gang deep back box. Reverse polarity protection is standard as is the LED mounted on the front face which indicates the mode of operation.

The RIU-R24B is ideal for applications involving other accessory products from Cranford Controls such as the DRW series electromagnetic door retainers. It's design closely resembles the RIU-02 remote indicator.

The relay is also available in PCB only format (R24-PCB), or in a metal enclosure (R24-BOX).

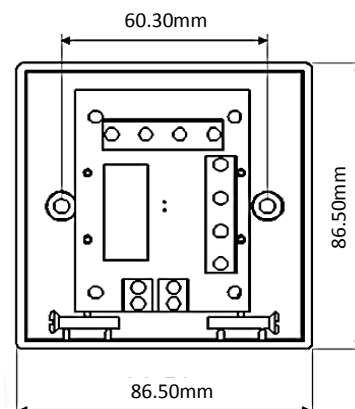
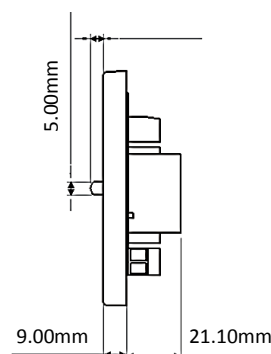
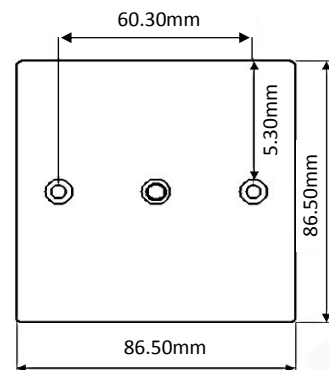
A 12Vdc version is available, ideal for security applications (RIU-R24B).

For text in other languages please consult our Sales Office.

### Technical Information

| Part No.              | RIU-R24B   | R24-PCB    | R24-BOX    | RIU-R12B  |
|-----------------------|------------|------------|------------|-----------|
| Current @ 24Vdc:      | c. 22mA    |            |            | c. 44mA   |
| Voltage Range:        | 18 - 40Vdc | 18 - 40Vdc | 18 - 40Vdc | 9 - 18Vdc |
| Relay Contact Rating: | 230Vac 5A  |            |            |           |
| Coil Impedance:       | 1100Ω      | 1100Ω      | 1100Ω      | 275Ω      |
| IP Rating:            | IP43       | N/A        | IP43       | IP43      |
| Weight:               | 150g       | 51g        | 612g       | 150g      |
| Back Box:             | Yes        | No         | No         | Yes       |

### Dimensions



### Connection

Volt Free Contacts  
(Rated 230Vac)

