

# Product Datasheet: VSO 24 Volt 3 Tone Platform Sounder - EN54 Approved



## Description

The VSO platform sounder has been developed to provide the ideal solution for most applications. The housing has been designed to match all leading brands of smoke detectors.

The 3-tone VSO benefits from improved electronic design and the use of a new, custom designed piezoelectric transducer has enabled current consumption to be reduced to as little as 3.6mA at 24Vdc. There is a local volume switch on each unit to allow individual sounders to be increased as necessary to suit every application. On low and medium settings the current draw is constant on warble, sweep and continuous tones ensuring that the unit can be easily adapted for use on addressable systems.

The standard 24V units operate from 12 - 32Vdc. Standard on all VS products is a second stage alarm allowing alert and evacuate signals to be switched via the CIE. If the unit is not being used in conjunction with a detector, a lockable cover plate can be fitted to convert the unit into a stand-alone wall or ceiling mounted sounder.

Standard Colours Available:

507-002 Standard White

Further colour matches are obtainable on request

Full Datasheet Available - DS076F

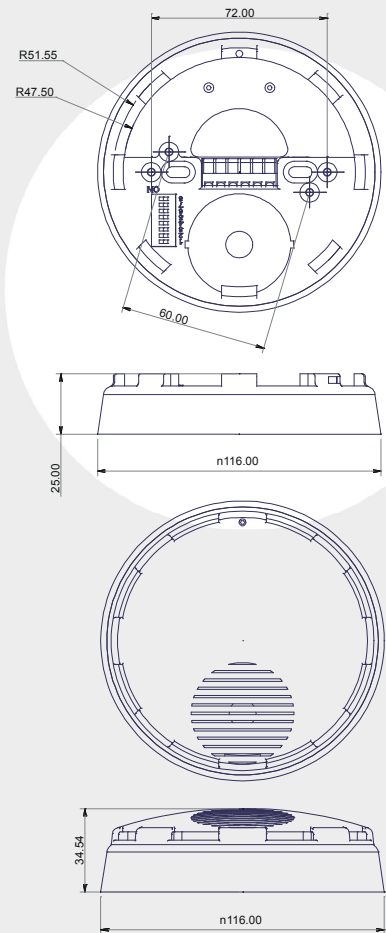
## Tone Table

No.	Tone	Description	Switch	Second
1	LF Sweep (Cranford sweep)	800-1000 Hz @ 0.5 sec	11111	800 Hz cont
11	Dutch sweep tone	970 Hz cont	10101	500-1200 Hz
25	German DIN tone	Sweep 1200-500 Hz @ 1 Hz	00111	800 Hz cont

## Technical Information

Part No.	VSO-4-W		
	Low	Med	High
Sound Level:	Low	Med	High
Sound Output - @ 1 metre (Tone 1):	87dBa	90dBa	93dBa
Current Consumption @ 24Vdc:	≤ 4mA	≤ 6mA	≤ 7mA
Constant Current:	YES	YES	NO
Voltage Range:	12 - 32Vdc		
Number of Tones:	3		
Operating Frequency:	800Hz to 1000Hz		
IP Rating:	IP21C		
Temperature Range:	- 20°C to + 70°C		
Weight (per unit packed):	110g		

## Dimensions



## Connection

For sweep, warble or pips, wire negative to terminals 3 and/or 4 (-) TONE.

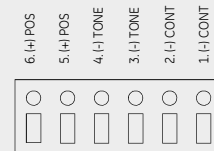
For continuous tone wire negative to 1 and/or 2 (-) CONT.  
Note that the (-) CONT tone will override the (-) TONE.



Volume	1	2
High	OFF	ON
Medium	ON	OFF
Low	OFF	OFF

Tones	3	4
Sweep	OFF	ON
Warble	ON	ON
Pips	OFF	OFF



546a/05