

## Product Data Sheet: VPR-DT Dutch Tone Spatial Sounder - EN 54 Approved



### Description

Alert and Evacuate tones are available via the 6-way terminal block. By using 3 wires it is possible to switch between Alert and Evacuate tones via the control panel.

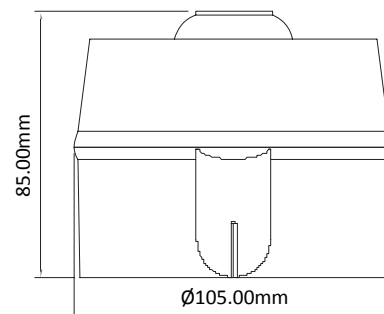
Each sounder has an on board crystal oscillator so all sounders on a loop will be synchronised.

This product has been approved to EN 54-3 for outdoor use.

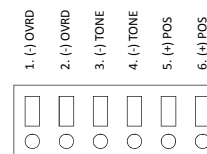
Each sounder is supplied complete with its own mounting base which comes with marker points for drilling M20 gland entries. The installation of these sounders is not recommended in (chilled) areas.

Approved to EN 54-3 at maximum volume only.

### Dimensions



### Connection



For the Alert tone, wire negative to terminals 3 and/or 4 (-) TONE.  
For the Evac tone wire negative to 1 and/or 2 (-) OVRD  
Note that the (-) CONT tone will override the (-) TONE

TONE = 970 Hz Continuous  
OVRD = 500 / 1200 Hz Rising Sweep

### Technical Information

Part No	VPR-DT
Sound Output @ 1 metre 24Vdc:	109dBa (Typical)
Current @ 24Vdc:	c. 50mA
Operating Frequency:	500Hz to 1200Hz
Number of Tones:	2
Voltage Range:	20 - 35Vdc
Volume Control:	- 25dBa
IP Rating:	IP33C
Temperature Range:	- 20°C to + 70 °C
Weight (per unit packed):	200g
Sounders are available in red or white by adding - R, red or W, white to the end of the part number.	
Results taken from testing by Cranford Controls in their environment.	



546/02



0832-CPD-0493

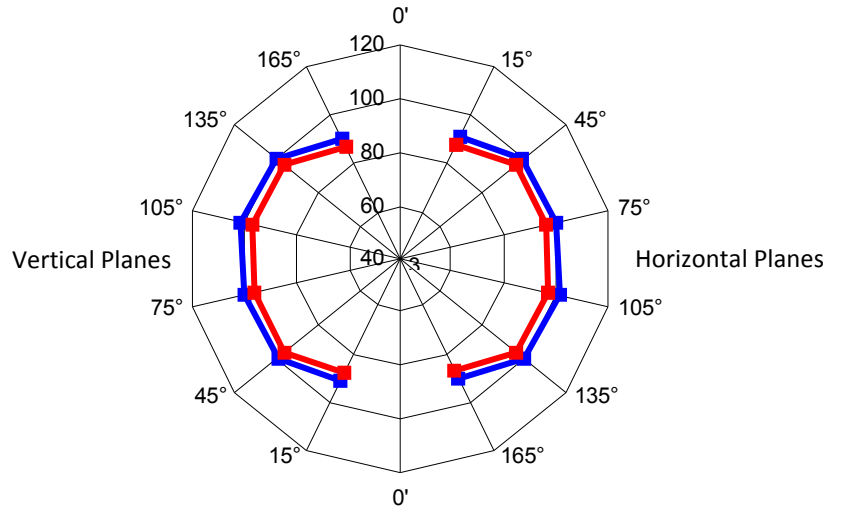
1 | 2 Pages

# Product Data Sheet: VPR-DT Dutch Tone Sounder - EN 54 Approved

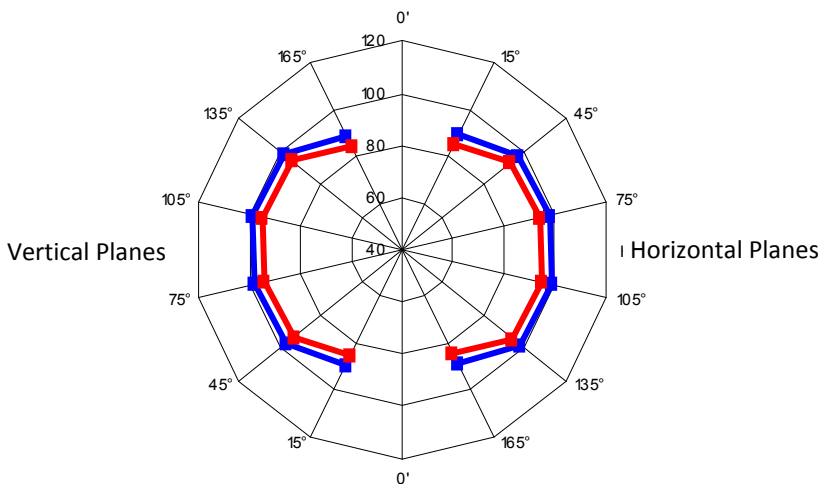
## Operational Performance Results @ 1m

### Tone A - Evacuation Tone 500 - 1200 Hz Rising Sweep

Maximum Volume (dBA)					
Horizontal Plane			Vertical Plane		
Angle	35V	20V	Angle	35V	20V
0°					
15°	91	87	15°	89	85
45°	99	95	45°	99	95
75°	100	96	75°	101	97
105°	101	97	105°	100	96
135°	100	96	135°	99	95
165°	90	86	165°	91	87



### Tone B - Alert Tone 970 Hz Continuous



Maximum Volume (dBA)					
Horizontal Plane			Vertical Plane		
Angle	35V	20V	Angle	35V	20V
0°					
15°	89	85	15°	87	83
45°	97	93	45°	97	93
75°	98	94	75°	99	95
105°	99	95	105°	98	94
135°	98	94	135°	97	93
165°	88	84	165°	89	85

Results taken from audit samples tested by the LPCB in their environment.

2 | 2 Pages