

## Product Data Sheet: IS Mini Range of Intrinsically Safe Products

### Description

- Rated for Zone 0, 1 & 2, Gas group IIC
- ABS flame retardant UL94Vo & 5VA housings
- Sealed to IP66
- 2 x M20 gland entries
- EN 50014: 1997 + A1 + A2, EN 50020: 2002 and EN 50284: 1999 standards

### IS-Minialarm: Alarm Sounder - [IS-MA1-R]

- 49 alarm tone configurations (PFEER/UKOOA compliant)
- 3 stage alarm
- Automatically synchronised sound output
- End of line resistor certified
- Input overload and reverse current protection

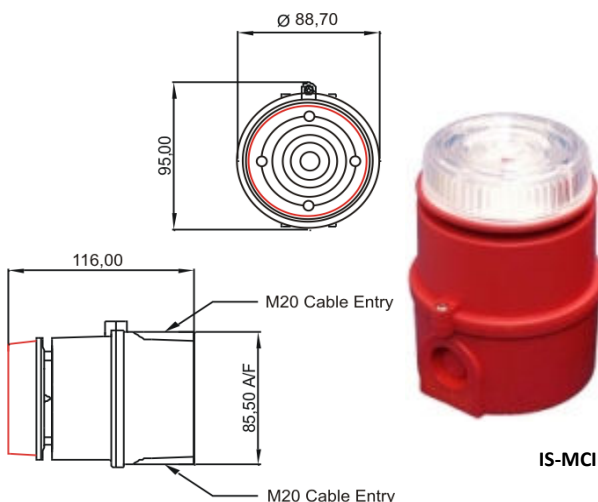
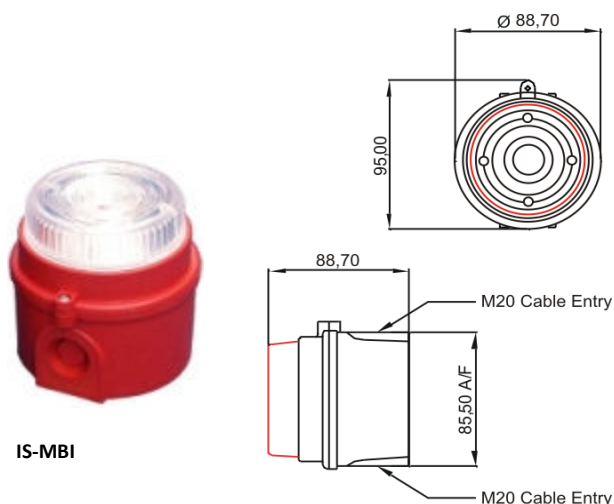
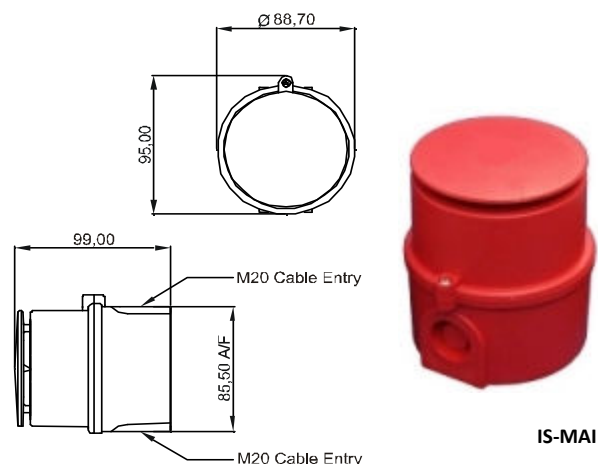
### IS-Minialite: LED Beacon - [IS-MB1-R/x]

- Array of 6 high-intensity LED's
- Lens colours available are Red, Amber, Blue, Green and Clear.
- Prismatic lens optimises LED effectiveness]
- 2 Flash modes: Double flash @ 2Hz and 1Hz

### IS-Minialert: Alarm sounder & Beacon - [IS-MC1-R/x]

- All the features of the IS-Minialarm and the IS-Minialite in a compact housing
- Only 1 galvanic isolating barrier required to run both sounder and beacon.

### Dimensions



Part No.	IS-MA1-R	IS-MB1-R/x	IS-MC1-R/x
Sound Output @ 1m (max):	100dBa	N/A	100dBa
Flash Rate:	N/A	2Hz or 1Hz (Selectable)	
Current Consumption @ 24Vdc:	25mA		48mA
Voltage Range:	16 - 28Vdc		
Number of Tones:	49	N/A	49
Colour:	Red		
IP Rating:	IP65		
Temperature Range:	- 40°C to + 60°C		
Barrier Required:	KFD2-EX1.48		
Please Note: One Barrier per device is needed.			
'x' Denotes colour of LED's, R = Red, A = Amber, B = Blue, G = Green, C = Clear.			