

Product Data Sheet: VPR 110/230 Volt 32 Tone Spatial Sounder

Description

Each device is synchronised via its high frequency oscillator circuit and gives sound outputs with frequencies of between 440Hz - 2850Hz, (dependant on tone selected).

Tones are selected via the DIL switch fitted to the PCB. By using three wires, a second stage alarm may be switched so that the continuous tone will override the tone selected.

The sounder case material is ABS and is supplied as standard in red. A white version is also available.

Each sounder is supplied complete with its own mounting base, which contains marker points for drilling two M20 gland entries.

The installation of the VPR-MT32-230 sounder is not recommended in industrial areas. These units do not require an earth connection as each device has its own transformer and de-coupling between mains frequencies.

Tone List

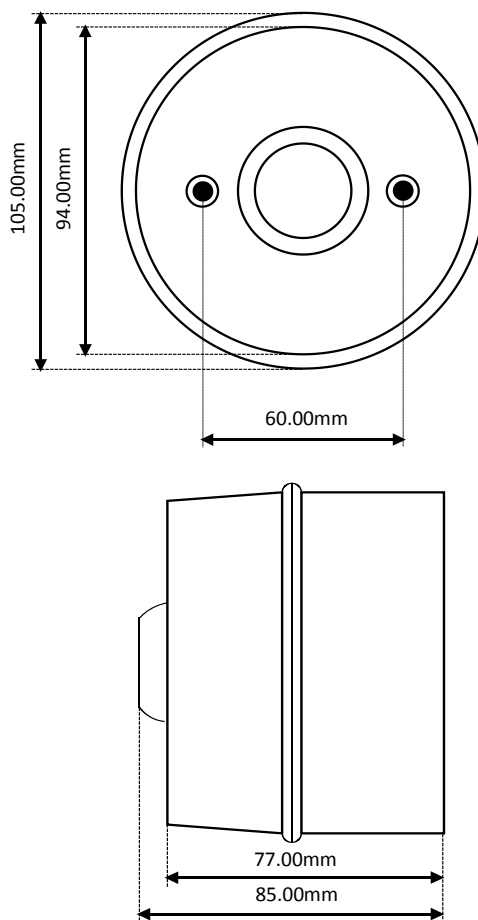
No.	Description	Switch 12345	Second Stage Alarm (Hz)
1	Warble tone 800/1000Hz @ 0.5sec	11111	800
2	Warble tone 800/1000Hz @ 0.25sec	01111	1000
3	Interrupted tone 800Hz @ 0.5sec on/off	10111	800
4	Interrupted tone 1000Hz @ 0.25sec on/off	00111	1000
5	Slow Whoop 500 to 1200Hz in 3sec then 0.5sec off	11011	500
6	Slow Whoop 1200 to 500Hz in 3sec then 0.5sec off	01011	1200
7	Australian Slow Whoop 500 to 1200Hz in 3.5sec 0.25sec off	10011	500
8	L.F. Sweep frequency 800 to 1000Hz in 0.5sec	00011	800
9	L.F. Sweep frequency 800 to 1000Hz in 0.25sec	11101	800
10	L.F. Sweep frequency 800 to 1000Hz in 0.1sec	01101	800
11	Sweep frequency 1200 to 500Hz in 1sec	10101	1200
12	Warble tone 554/440Hz @ 0.5sec	00101	554
13	Warble tone 554Hz for 0.1sec / 440Hz for 0.4sec	11001	554
14	Interrupted tone 660Hz for 150msec on/off	01001	660
15	Interrupted tone 660Hz for 150msec on/off	10001	660
16	Interrupted tone 660Hz for 570msec on/off	00001	660
17	Group of 3 interrupt 1000Hz @ 0.5sec on/off then 1.5sec off	11110	1000
18	Group of 3 warble 1000/800Hz @ 0.5sec then 1.5sec off	01110	1000
19	Group of 3 sweep 500 to 1200Hz @ 0.5sec on/off then 1.5sec off	10110	500
20	Group of 3 sweep 1200 to 500Hz in 0.5sec then 1.5sec off	00110	1200
21	Linear frequency sweep 2000 to 2500Hz in 0.5sec	11010	2000
22	Linear frequency sweep 2000 to 2500Hz in 0.25sec	01010	2000
23	H. F. warble tone 2000/2500Hz @ 0.5sec	10010	2000
24	H. F. warble tone 2000/2500Hz @ 0.25sec	00010	25000
25	H. F. interrupted tone 2850Hz @ 150msec on/off	11100	2000
26	H. F. interrupted tone 800Hz @ 0.5sec on/off	01100	2850
27	Very fast H.F. sweep 2400 to 2800Hz in 20msec (50Hz)	10100	2400
28	Fast H.F. sweep 2400 to 2800Hz in 0.143sec (7Hz)	00100	2400
29	H.F. sweep 2400 to 2800Hz in 0.5sec (2Hz)	11000	2400
30	2way ramp 500 to 1200 rising then falling in 0.25sec	01000	500
31	Siren 2way ramp 3 sec rising then 3 sec falling 500 to 1200Hz	10000	500
32	Ding dong group 2700 to 0Hz then 570 to 80Hz off for 4sec	00000	700

Technical Information

Part No.	VPR-MT32-230
Output @ 1 metre:	107dBa
Current @ 230Vac:	c. 12mA
Voltage Range:	230Vac / 110Vac ± 10%
Operating Frequency:	440Hz to 2850Hz
Number of Tones:	32
Volume Control:	- 30dBa
IP Rating:	IP65
Temperature Range:	- 20°C to + 70°C
Weight (per unit packed):	295g
Sounders are available in red or white by adding - R, red or W, white to the end of the product code.	



Dimensions



Connection

