

## Product Data Sheet: VPR 24 Volt 4 Tone Spatial Sounder



### Description

The VPR sounder is available in two popular formats - VPR-SA2 and VPR-SA4

The VPR-SA2 sounder is designed for applications where low current consumption relative to sound output is required, with a 103 dBa output requiring only 11mA at 24Vdc.

The VPR-SA4 sounder is designed for applications requiring maximum sound output, and offers the best sound output to cost of any sounder currently on the market.

With an operating frequency of 800Hz - 1000Hz, each sounder provides sound within the frequency range specified by BS 5839. Each sounder also has a wide operating voltage of 8 - 35Vdc.

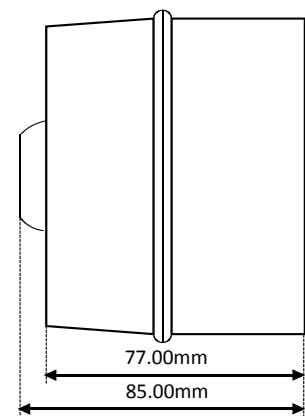
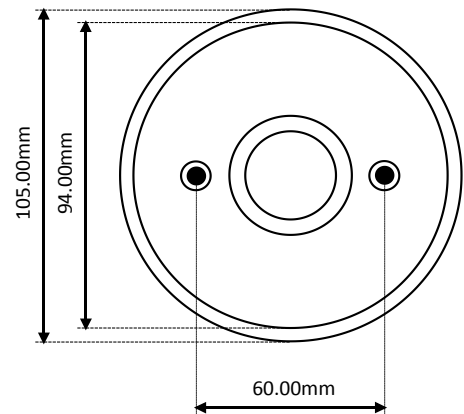
Tones are available by selecting either warble, sweep or pips via the jumper fitted to the PCB. By using three wires, a second stage alarm may be switched so that the continuous tone will override the tone selected.

### Technical Information

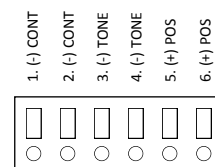
Part No.	VPR-SA2	VPR-SA4
Output @ 1 metre 24Vdc:	103dBa	107dBa
Current @ 24Vdc:	c. 11mA	c. 40mA
Voltage Range:	8 - 35Vdc	
Operating Frequency:	800Hz to 1000Hz	
Number of Tones:	4	
Volume Control:	- 30dBa	
IP Rating:	IP65	
Temperature Range:	- 20°C to + 70°C	
Weight (per unit packed):	200g	

Sounders are available in red or white by adding - R, red or W, white to the end of the part number.

### Dimensions



### Connection



For sweep, warble or pips, wire negative to terminals 3 and/or 4 (-) TONE.

For continuous tone wire negative to 1 and/or 2 (-) CONT

Note that the (-) CONT tone will override the (-) TONE

