

Product Data Sheet: VCT 24 Volt 4 Tone Platform Sounder



Description

The VCT platform sounder is compatible with most makes of industrial grade fire detector.

With an overall height of only 25mm the VCT platform sounder combines low profile looks with a high, clear sound output. A substantial area for wide entry coupled with rising clamp terminals gives users of the VCT platform sounder the benefit of rapid installation.

Each VCT sounder operates within the frequency range of 800Hz - 1000Hz like all sounders in the Cranford Controls range, a wide operating voltage is standard and the VCT four tones match those available on VTG, VRS and VPR sounders.

Tones are available by selecting warble, sweep or pips via the jumper on the top face. The continuous tone is selected via the terminal array and is also used as a second stage alarm if a third wire is fitted. A cover plate (VCT-CP) is also available, transforming the VCT into a useful spatial sounder.

Standard Colours Available:

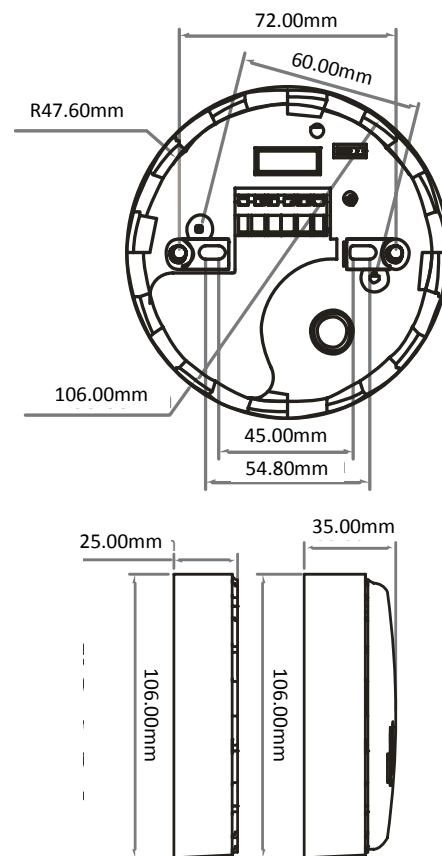
- 506-001 Apollo White
- 506-002 Hochiki Ivory
- 506-003 Nittan White

Further colour matches are obtainable on request

Technical Information

Part No.	VCT-03-W	VCT-03-C	VCT-03-NT
Sound Output @ 1 metre 24Vdc (detector):	91dBa		
Sound Output @ 1 metre 24Vdc (cover plate):	94dBa		
Current @ 24Vdc:	c. 11mA		
Voltage Range:	8 - 35Vdc		
Operating Frequency:	800Hz to 1000Hz		
Number of Tones:	4		
Volume Control:	- 30dBa		
IP Rating:	IP42		
Temperature Range:	- 20°C to + 70°C		
Colour:	Apollo White	Hochiki Ivory	Nittan White
Weight (per unit packed):	121g		

Dimensions



Connection

For sweep, warble or pips, wire negative to terminals 3 and/or 4 (-) TONE.

For continuous tone wire negative to 1 and/or 2 (-) CONT.

Note that the (-) CONT tone will override the (-) TONE.

Tone Select

VOLUME

6. (+) POS
5. (+) POS
4. (-) TONE
3. (-) TONE
2. (-) CONT
1. (-) CONT

Sweep

Pips

Warble