

Product Data Sheet: DRP 24 Volt Pole Mounted Door Retainers



Description

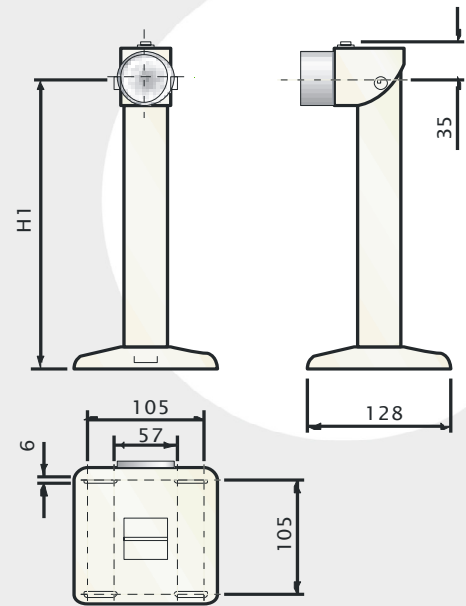
This rugged, versatile design of door magnet can be used for many different door holding applications. With the magnet set as shown in the photograph, the door holder can be floor or ceiling mounted. Turn the magnet through 90° and the door holder is in wall mounting configuration.

The stand and adjustable head are fabricated from steel providing a very robust structure. A moulded cover is included to conceal the mounting fixings once the holder is fitted.

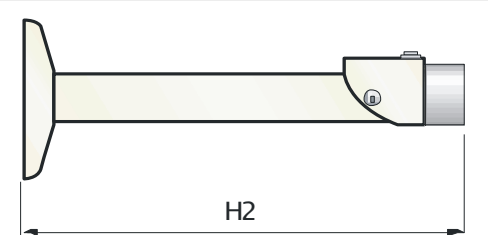
The pole is available in two standard lengths, but can easily be cut down to shorter lengths on site. For special lengths and voltages please check with our Sales Office.

Dimensions

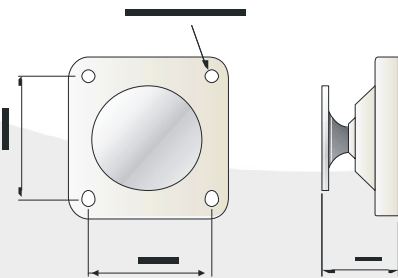
Floor/Ceiling Mounting



Wall Mounting



Keeper Plate



Technical Information

Ref:	DRP-S500	DRP-L500	DRP-S1000	DRP-L1000
H1: Magnet 90%	183mm	283mm	183mm	283mm
H2: Magnet 180%	250mm	350mm	250mm	350mm

Part No.	DRP-S500	DRP-L500	DRP-S1000	DRP-L1000
Supply Voltage:	24Vdc \pm 10% 50Hz			
Current consumption:	47mA		76mA	
Minimum Rated Holding Force:	500N (51kg)	500N (51kg)	1000N (102kg)	1000N (102kg)
Maximum Rated Holding Force:	750N (79kg)	750N (79kg)	1300N (132.6kg)	1300N (132.6kg)
Residual Holding Force:	ZERO			
Release Switch:	YES			
Protection:	IP51			
Keeper Adjustment:	\pm 30°			
Weight (per unit packed):	1500g	1600g	1900g	2000g
Door Closer, Power Size:	3 - 6			